

500 SERIES soft seat VALVES



A precision molded, replaceable delrin soft seat is the key to the bubble tight seal of the Soft Seat Valve. Typically used in gaseous application, this valve will provide years of dependable, trouble free service.

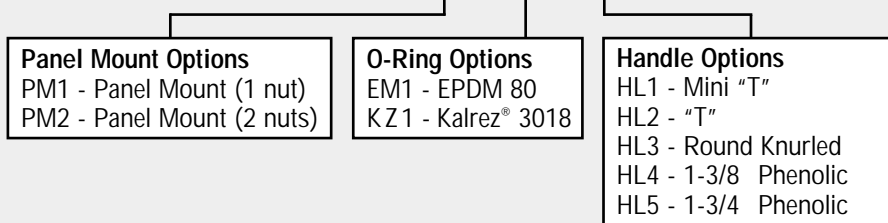
- Soft seat design is 100% Helium leak tested to 1×10^{-4} ml/s.
- 6,000 psi pressure rating (@200°F maximum).
- Replaceable Delrin seat.
- Straight through porting for bi-directional, high capacity flow and easy roddable cleaning.
- Blow out proof stem that provides a secondary stem seal in the full open position.
- Stem packing below the threads prevents thread galling & contamination.
- Viton O-Ring & Teflon back-up ring stem seals.
- All 316SS stems (even in steel valves) for longer life.
- Stem and bonnet threads are rolled for greater strength and smoother operation.
- One piece bonnet with a metal to metal seal to the valve body below the bonnet threads.
- Bonnet lock pin to prevent accidental loosening.
- Vinyl bonnet & stem dust cap.
- .187 inch orifice size.
- Optional panel mount bonnet and panel nuts.
- Electroless Nickel plated finish on carbon steel valves.
- Electropolish finish on stainless steel valves.

Ordering Information

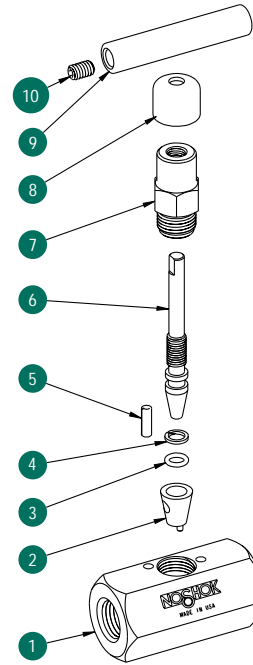
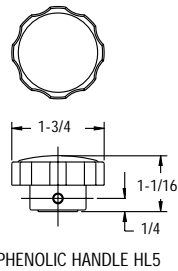
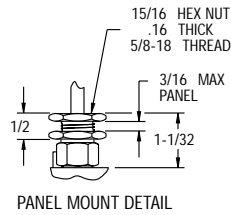
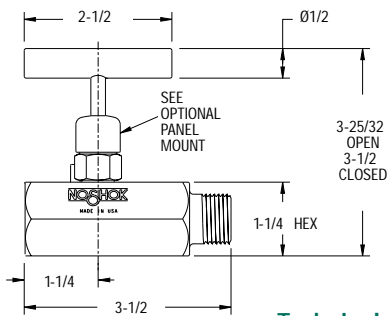
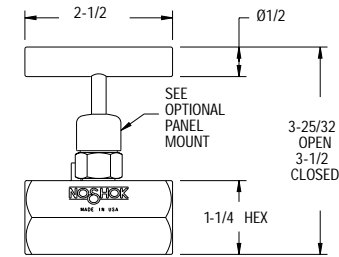
PART NUMBER	CONNECTION	MATERIAL
502 MFC	1/4 NPT Male-Female	Steel
504 MFC	1/2 NPT Male-Female	Steel
50402 MFC	1/2 NPT Male-1/4 NPT Female	Steel
502 MFS	1/4 NPT Male-Female	Stainless Steel
504 MFS	1/2 NPT Male-Female	Stainless Steel
502 FFC	1/4 NPT Female-Female	Steel
503 FFC	3/8 NPT Female-Female	Steel
504 FFC	1/2 NPT Female-Female	Steel
502 FFS	1/4 NPT Female-Female	Stainless Steel
503 FFS	3/8 NPT Female-Female	Stainless Steel
504 FFS	1/2 NPT Female-Female	Stainless Steel

When ordering options please refer to the Part Number Construction guide below for the appropriate suffix. Please note that the standard O-Ring in all the **NOSHOK** Valves are Viton® and the standard handles are: "T" handles.

Part Number Construction: **504 FFC - PM2 - KZ1 - HL5**



General Dimensions



Technical Data:

Maximum Pressure Rating:	Orifice size:	0.187"
Steel: 6000 psi	Flow Coefficient:	0.76
Stainless Steel: 6000 psi	Standard O-Ring:	Viton®
	Standard Back-up Ring:	Teflon®

- 1 Valve Body
- 2 Delrin Seat
- 3 Viton® O-Ring
- 4 Teflon® Back-up Ring
- 5 Bonnet Lock Pin
- 6 Valve Stem
- 7 Valve Bonnet
- 8 Dust Cap
- 9 Valve "T" Handle
- 10 Handle Set Screw

For flow characteristics refer to page 14

Kalrez® and Viton® are registered trademarks of DuPont Dow Elastomers
Teflon® is a registered trademark of the DuPont Company